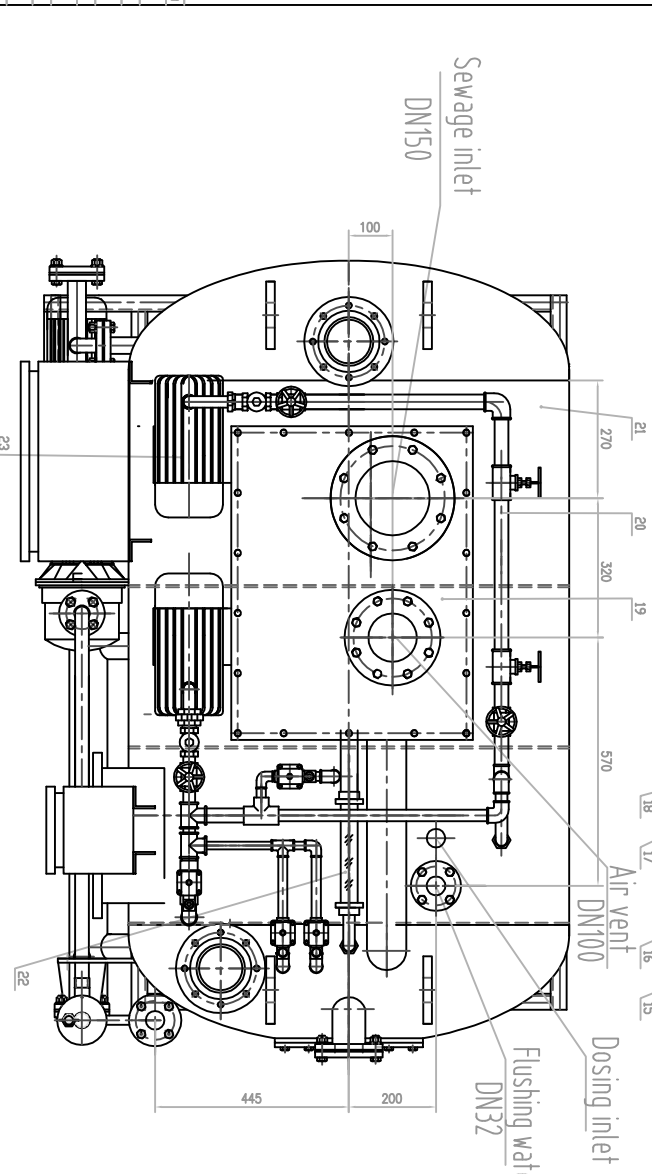
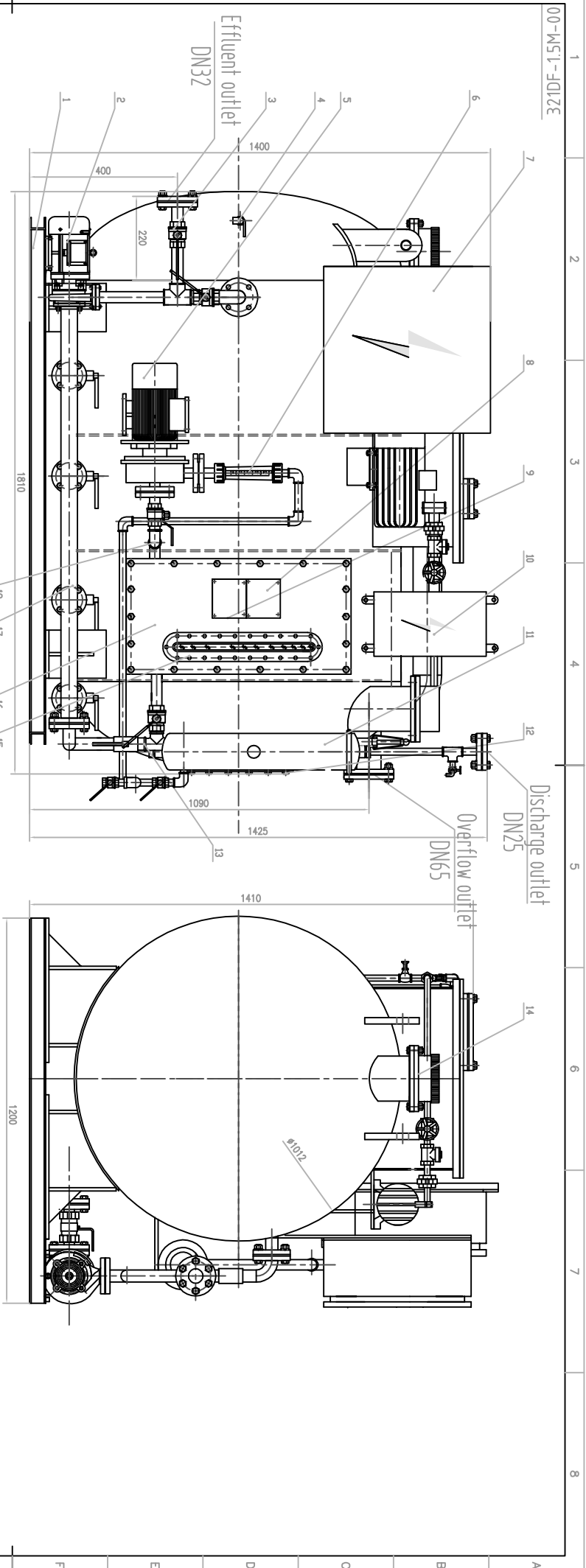


321DF-1.5M-00



Technical specification

1 Type : SWCM-15
 2 Number of persons : rated persons 15
 3 Rated capacity : 1120L/d
 Organic load : 0.525kgBOD₅/d
 4 Discharge standard : BOD₅0.25mg/l
 CDD0.125mg/l
 TSS0.35mg/l
 California100/100ml
 PH 6.8-5
 5. Effluent : 0.15MPa
 6. Power source : 4.15V. 50Hz. 3PH. 2.25KW
 7. All flanges standard : JIS B2220-2004
 pressure 5k flange

No.	Drawing No.	Name	Qty	Material	Unit	Total	Note
23	CYBW-10	Air pump	2	Assembly	15	30	
22	3ZDF-15M-B	Slide return pipe	1	Assembly	12	12	
21	3ZDF-15M-02-00	Tank	1	Q235-B	500	500	
20	3ZDF-15M-11	Aeration pipe	1	Assembly	31	31	
19	3ZDF-15M-10	Cover plate	1	Q235-B	4.0	4.0	
18	3ZDF-15M-09	Pipe group	1	Assembly	8	8	
17	3ZDF-15M-08	Pipe group	1	Z0#	15	15	
16	3ZDF-15M-07	Cover plate	1	Q235-B	4.5	4.5	
15	3ZDF-15M-06	Marble cover plate	1	Q235-B	6.5	6.5	
14	3ZDF-15M-05	Electrode	1	Assembly	5.5	5.5	
13	3ZDF-15M-04	Pipe group	1	Assembly	18	18	
12	3ZDF-15M-03	Marble cover plate	1	Q235-B	7.5	7.5	
11	1X-0.5UV-01	UV	1	Assembly	13	13	
10	1X-0.5UV-01YL	UV electric control box	1	316L	0.5	0.5	
9	3ZDF-1M-12	Notification	1	316L	0.5	0.5	
8	3ZDF-1M-13	Nameplate	1	316L	0.5	0.5	
7	3ZDF-1M-01YL	Electric control box	1	Assembly	4.0	4.0	
6	3ZDF-15M-04	Pipe group	1	Assembly	15	15	
5	13Z-25-100	Vacuum pump	1	Assembly	15	15	
4	1/2"	Lock	2	Brass	0.3	0.6	
3	3ZDF-15M-02	Pipe group	1	Assembly	16	16	
2	0.5CMW-8	Cutting pump	1	Assembly	35	35	
1	3ZDF-15M-01	Base	1	660aluminum steel	80	80	

Registration
 Trace
 Check
 Base Drawing
 Signature
 Date

Drawing No. 321DF-15M-00