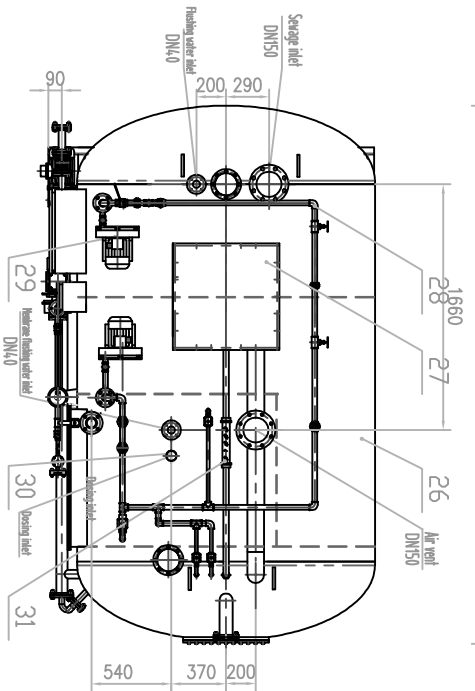
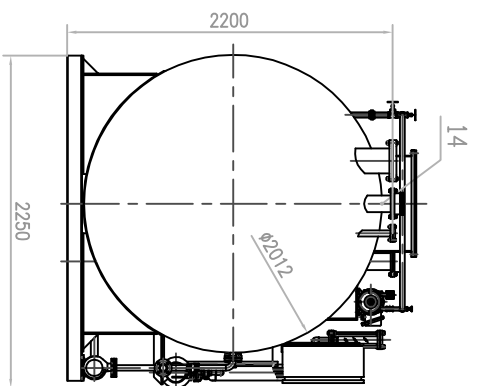
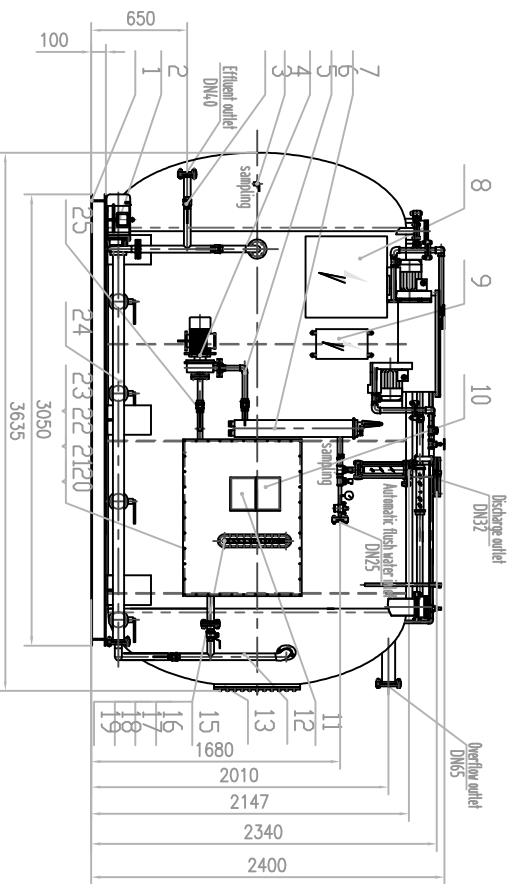


00-M07-FID125



Technical Specification

- 1.Type : SWCM-200
- 2.Number of persons : rated persons 200
- 3.Rated capacity : 14,700L/d
Organic load : 7.35kgBOD₅/d
- 4.Discharge standard : BOD₅25mg/l
COD0125mg/l
TSS035mg/l
Calciformin00/100ml
PH 6 & 8.5
- 5.Effluent : 0.15MPa
Cl₂ 0.15mg/l
- 6.Power source : 380V/50Hz/3φ. 6kW
- 7.All flanges standard : GB2506-2005 PN0.6

31	32IDF-20M-12	Sludge return pipe	1	Assembly																																						
30	32IDF-15M-16	Medical inlet	1	Assembly		Communal Part																																				
29	2RB 510-7AH16T	air blower	2	Assembly																																						
28	32IDF-20M-11	Aeration pipe group	1	Assembly																																						
27	32IDF-20M-10	Top cover plate	1	Q235-B																																						
26	32IDF-20M-09-00	Tank	1	Assembly																																						
25	32IDF-20M-08	Vacuum pump inlet piping	1	Assembly																																						
24	32IDF-20M-07	Cutting pump inlet pipe group	1	20#																																						
23	GB/T5286-2001	gasket	40	Q235-B																																						
22	GB6170-2000	M10nut	40	Q235-B																																						
21	GB/T 5182-2000	M10x4.0bolt	40	Q235-B																																						
20	32IDF-20M-06	Heavene tank cover plate	1	Assembly																																						
19	GB/T5286-2001	gasket	22	Q235-B																																						
18	GB3898-88	M8x4.0bolts	22	Q235-B																																						
17	32IDF-15M-08	Observation cover plate	1	Q235-B		Communal Part																																				
16	32IDF-15M-07	Observation glass	1	organic glass		Communal Part																																				
15	32IDF-15M-06	gasket	1	rubber		Communal Part																																				
14	32IDF-20M-05	Electrode	2	Assembly																																						
13	32IDF-8M-05	Manhole cover plate	1	Q235-B		Communal Part																																				
12	32IDF-20M-04	Sediment tank piping	1	Assembly																																						
11	32IDF-1M-12	Notification	1	316L																																						
10	32IDF-1M-13	Nameplate	1	316L																																						
9	JX-3UV-01YL	UV control box	1	Assembly																																						
8	32IDF-1M-01YL	Electric control box	1	Assembly																																						
7	JX-3UV	UV	1	Assembly																																						
6	32IDF-20M-03	Vacuum pump outlet piping	1	Assembly																																						
5	GBX53-80	Cock	2	Brass																																						
4	25ZB-2-20	Vacuum pump	1	Assembly																																						
3	32IDF-20M-02	Cutting pump outlet piping	1	Assembly																																						
2	1CWF-11	Cutting pump	1	Assembly																																						
1	32IDF-20M-01	Base	1	10#channel steel																																						
No.	Drawing No.	Name	Quantity	Material	Unit	Total Weight	Note																																			
<table border="1"> <thead> <tr> <th>Part No.</th> <th>Modify No.</th> <th>Signature</th> <th>Date</th> <th colspan="3">SWCM-200 Sewage Treatment Plant</th> </tr> </thead> <tbody> <tr> <td>Designer</td> <td></td> <td></td> <td></td> <td>Drawing mark</td> <td>Weight</td> <td>Scale</td> </tr> <tr> <td>Checker</td> <td></td> <td></td> <td></td> <td></td> <td>300kg</td> <td>1:10</td> </tr> <tr> <td>Approver</td> <td></td> <td></td> <td></td> <td>Page</td> <td></td> <td></td> </tr> <tr> <td>Technologists</td> <td></td> <td></td> <td></td> <td>of page</td> <td></td> <td></td> </tr> </tbody> </table>							Part No.	Modify No.	Signature	Date	SWCM-200 Sewage Treatment Plant			Designer				Drawing mark	Weight	Scale	Checker					300kg	1:10	Approver				Page			Technologists				of page			
Part No.	Modify No.	Signature	Date	SWCM-200 Sewage Treatment Plant																																						
Designer				Drawing mark	Weight	Scale																																				
Checker					300kg	1:10																																				
Approver				Page																																						
Technologists				of page																																						
<table border="1"> <thead> <tr> <th colspan="4">SWCM-200 Sewage Treatment Plant</th> <th colspan="2">General drawing</th> </tr> </thead> <tbody> <tr> <td colspan="4"></td> <td colspan="2">32IDF-20M-00</td> </tr> </tbody> </table>							SWCM-200 Sewage Treatment Plant				General drawing						32IDF-20M-00																									
SWCM-200 Sewage Treatment Plant				General drawing																																						
				32IDF-20M-00																																						