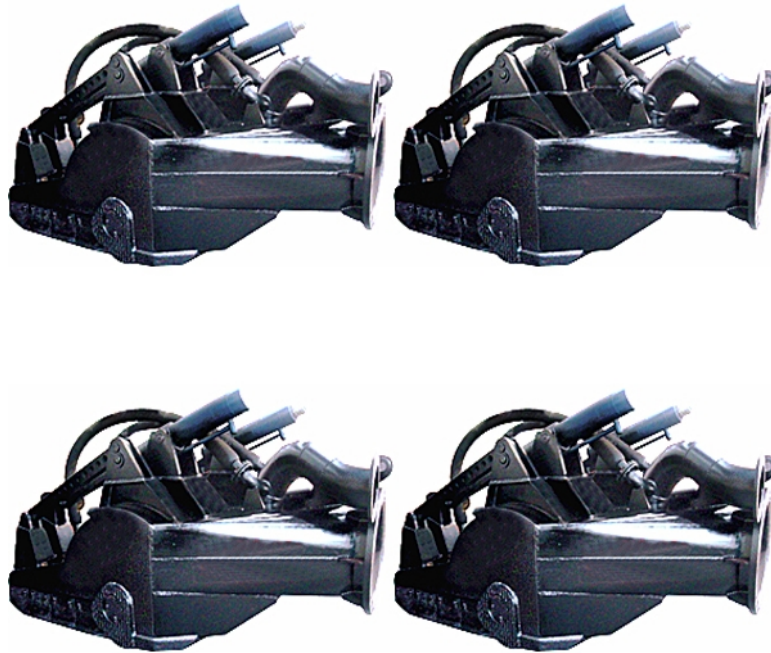


### Active Drag Head

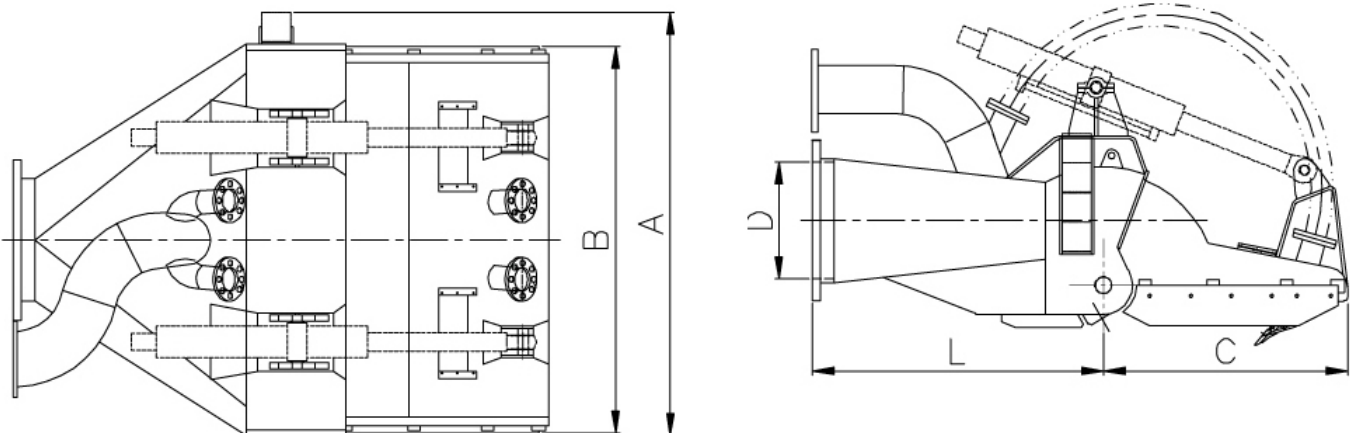


#### Active Drag Head Features and Performance:

Active drag head is connected by hydraulic device between adjust cover and main part on drag head, when dredging in control cabinet adjust interval between adjust cover and seabed through hydraulic device to get the most suitable sucking pressure and play the most efficient dredging efficiency.

Hydraulic power components on active drag head can be installed directly on drag head, just need to connect control line and power line, then can easily adjust in control cabinet; Hydraulic power components can also be installed in the cabin deck, need connect hydromantic oil pipe to hydraulic cylinder on drag head.

Optional monitoring measuring system the hydraulic cylinder on the hydraulic cylinder, quipped signal cable, can be accurate settings according to the circumstance in control cabinet when in work.

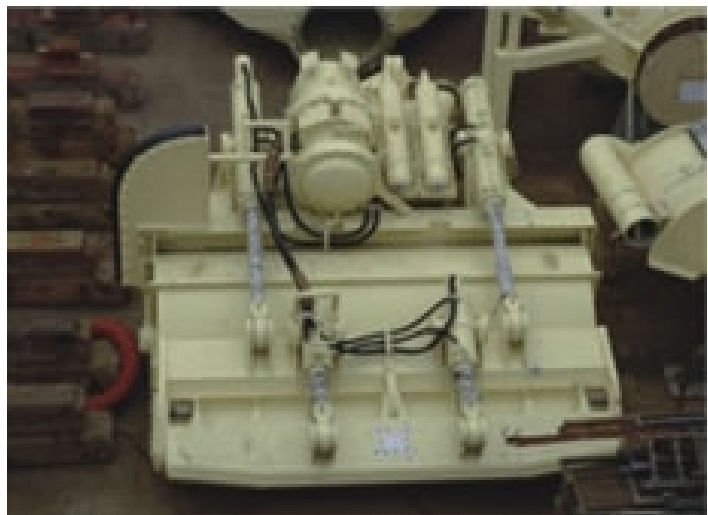


Structural drawing

**Technical Specifications**

Pipe Dia.(mm)	L(mm)	C(mm)	A(mm)	B(mm)
550	1525	1100	1800	1560
650	1900	1240	2650	2550
750	1950	1300	2810	2700
800	2000	1550	2940	2750
900	2350	1650	3200	2850
1000	2850	1760	3700	3520
1200	3300	1850	4240	3700

**NOTE:**Providing rake head series of all specifications and dimensions, customization is available.



**Chongqing Hi-Sea Marine Equipment Import&Export Co.,Ltd.**

**Address:** 20-5,General Chamber of Commerce Building, No.2 Hongjin Street, Yubei District, Chongqing, China

**Email:** machine@hiseamarine.com mitang0708@foxmail.com **Skype:** cncqtang **QQ:** 227612160

**TEL:** +86-23-67032301 **FAX:**+86-23-67955123 **Mobile:** +86-18108354610 **Post Code:**401147

**Website:** www.hiseamarine.com www.chinahisea.com