

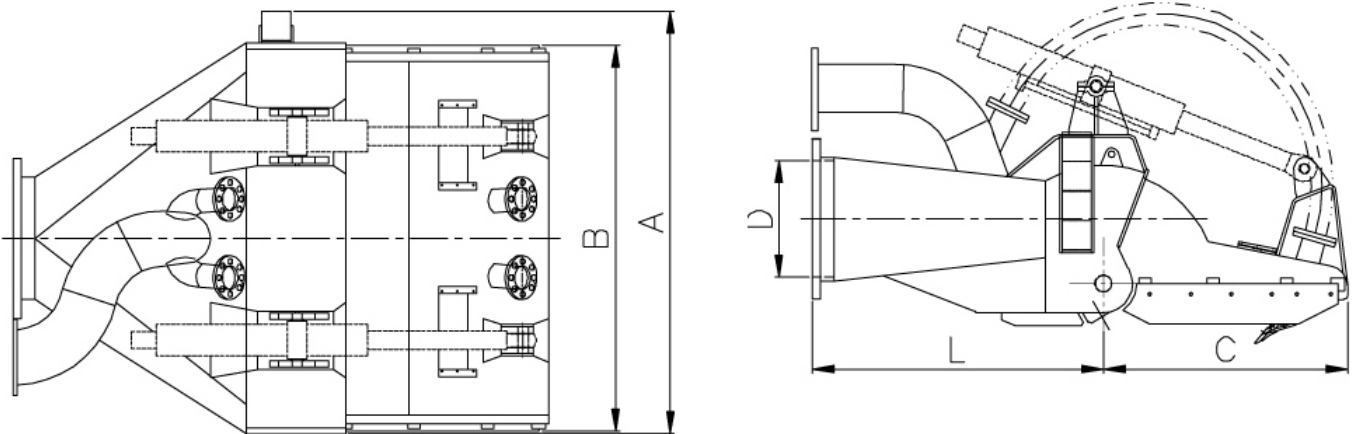
Fixed Turbulence Type Drag Head



Features and Performance of Fixed Turbulence Type Drag Head:

Adjustable fixed feet slip of fixed tyrbulence type drag head at the end of agjust cover is used to set the interval between adjust cover and seabed or between adjust cover and support frame, there is fixed adjustable device used to set the interval between adjust cover and seabed, convenient for the support of dredge water when harrow head working, there is adjustable water inlet on adjust cover, in order to provide more dredge water when dredging soft soil.

Drag head of this type can dredg high concentrations of mud of various soil types, its characteristic is main body weight relatively light and drag force is small.



structural drawing

Technical Specifications

Pipe Dia.(mm)	L(mm)	C(mm)	A(mm)	B(mm)
420	1300	1000	1600	1340
600	1560	1190	1850	1560
700	1935	1255	2700	2600
800	2000	1550	2940	2750
900	2350	1650	3200	2850
1200	3300	1850	4240	3700

NOTE: We can provide other size and type harrow head caaording to requirements of user.



Fixed Turbulence Type Drag Head on TSHD

Chongqing Hi-Sea Marine Equipment Import&Export Co.,Ltd.

Address: 20-5,General Chamber of Commerce Building, No.2 Hongjin Street, Yubei District, Chongqing, China

Email: machine@hiseamarine.com mitang0708@foxmail.com **Skype:** cncqtang **QQ:** 227612160

TEL: +86-23-67032301 **FAX:**+86-23-67955123 **Mobile:** +86-18108354610 **Post Code:**401147

Website: www.hiseamarine.com www.chinahisea.com