

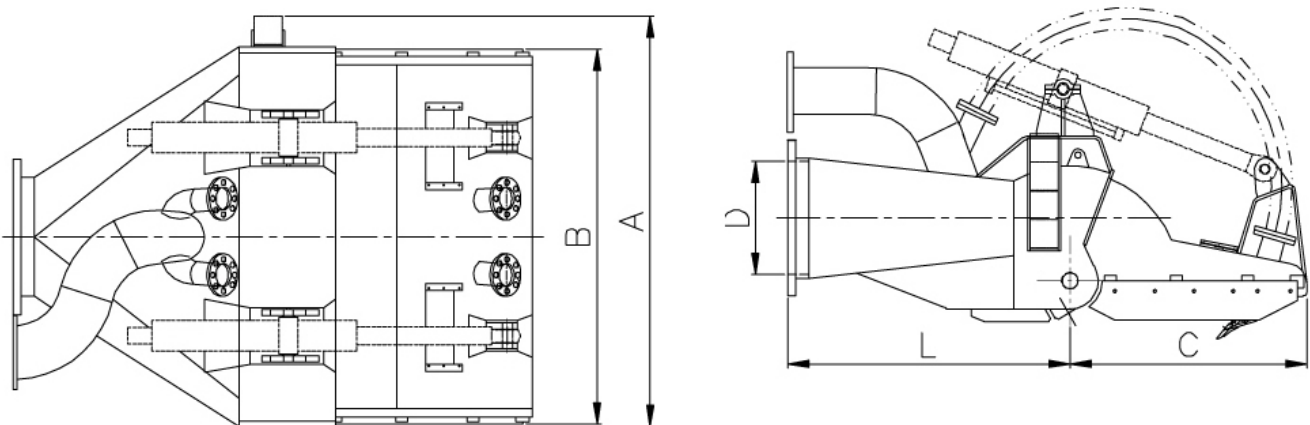
## Gravity Type Drag Head



### Features and Performance of Gravity Type Drag Head:

Gravity type drag head mainly include main body of drag head and self-adjusting adjust cover installed on main body. It can loose soil under the work role of harrow tooth on adjust cover which can be mechanical adjusted can provide appropriate dredge water when conveying mud.

Gravity type drag head welded of high-tensile structural steel, its harrow tooth is made of high wear resisting cast steel, installed in the adjust cover along with the full width mouth water type decorates. In key parts are using rustproof material to be made.

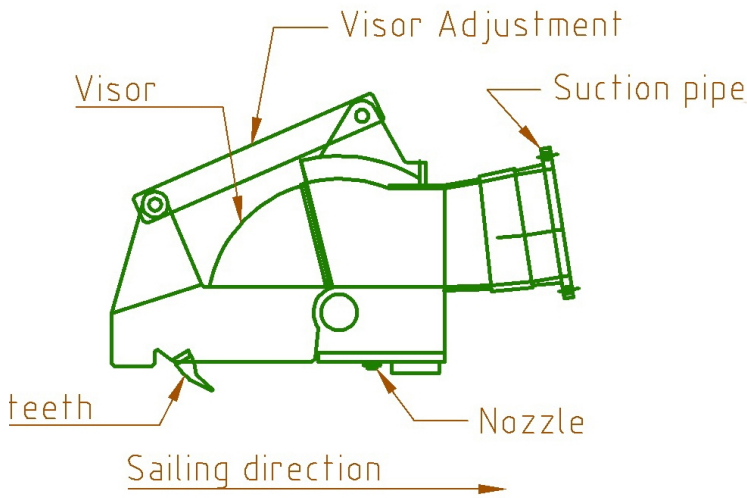


Structural drawing

**Technical Specifications**

Pipe Dia.(mm)	L(mm)	C(mm)	A(mm)	B(mm)
420	1300	1000	1600	1340
600	1560	1190	1850	1560
700	1935	1255	2700	2600
750	1950	1300	2810	2700
900	2350	1650	3200	2850
1000	2850	1760	3700	3520
1200	3300	1850	4240	3700

**NOTE:** We can provide other size and type harrow head caording to requirements of user.



**Chongqing Hi-Sea Marine Equipment Import&Export Co.,Ltd.**

**Address:** 20-5,General Chamber of Commerce Building, No.2 Hongjin Street, Yubei District, Chongqing, China

**Email:** machine@hiseamarine.com mitang0708@foxmail.com **Skype:** cncqtang **QQ:** 227612160

**TEL:** +86-23-67032301 **FAX:**+86-23-67955123 **Mobile:** +86-18108354610 **Post Code:**401147

**Website:** www.hiseamarine.com www.chinahisea.com