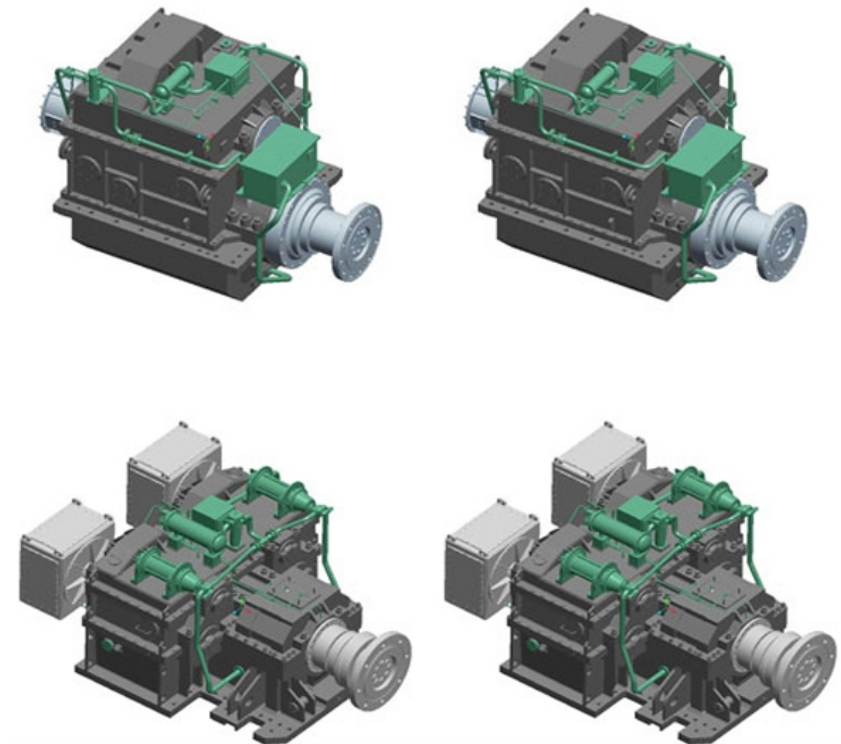
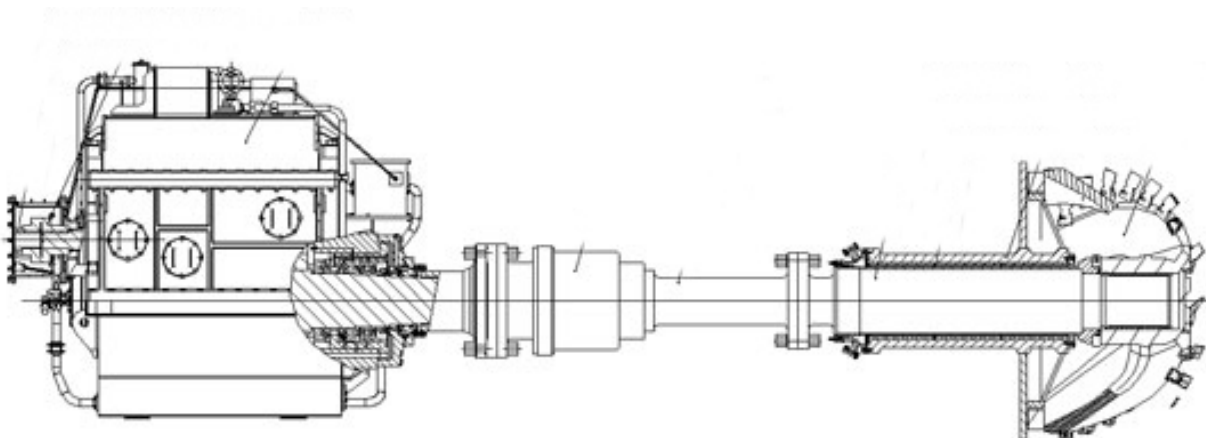


Dredger gearbox for Submerged cutter

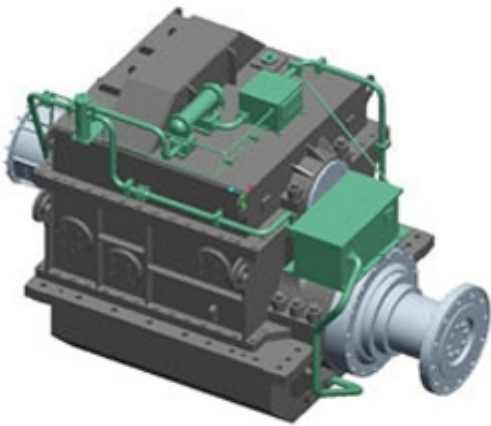
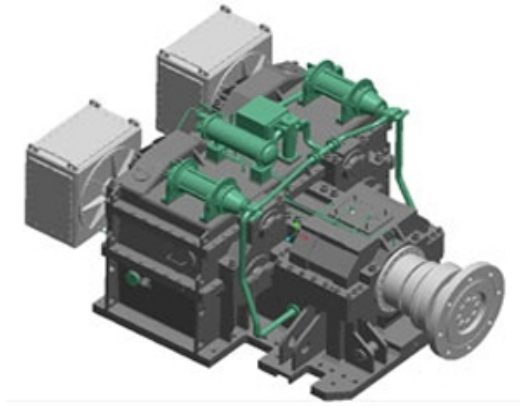


Apply for the submerged cutter driving section of large cutter dredger. Features of work condition: soil sand; have high requirement of sand prevention and sealing; low RPM, super large torque, large ahead and astern pull, deep water operation (max. operating depth of water 35m).



Designing solution of submerged cutter driving system of 3500m³ cutter dredger

- Input power: 2x1400kW;
- Input speed 1000rpm;
- Output speed 30rpm;
- Applies for 4500m³ cutter dredger



- Input power: 2000kW;
- Input speed 1000rpm;
- Output speed 30rpm;
- Applies for 3500m³ cutter dredger

- Input power 1000kw;
- Input speed 1000rpm;
- Output speed 30rpm;
- Applies for 6000m³ cutter dredger;



Chongqing Hi-Sea Marine Equipment Import&Export Co.,Ltd.

Address: 20-5,General Chamber of Commerce Building, No.2 Hongjin Street, Yubei District, Chongqing, China

Email: machine@hiseamarine.com mitang0708@foxmail.com **Skype:** cncqtang **QQ:** 2278612160

TEL: +86-23-67032301 **FAX:**+86-23-67955123 **Mobile:** +86-18108354610 **Post Code:**401147

Website: www.hiseamarine.com www.chinahisea.com