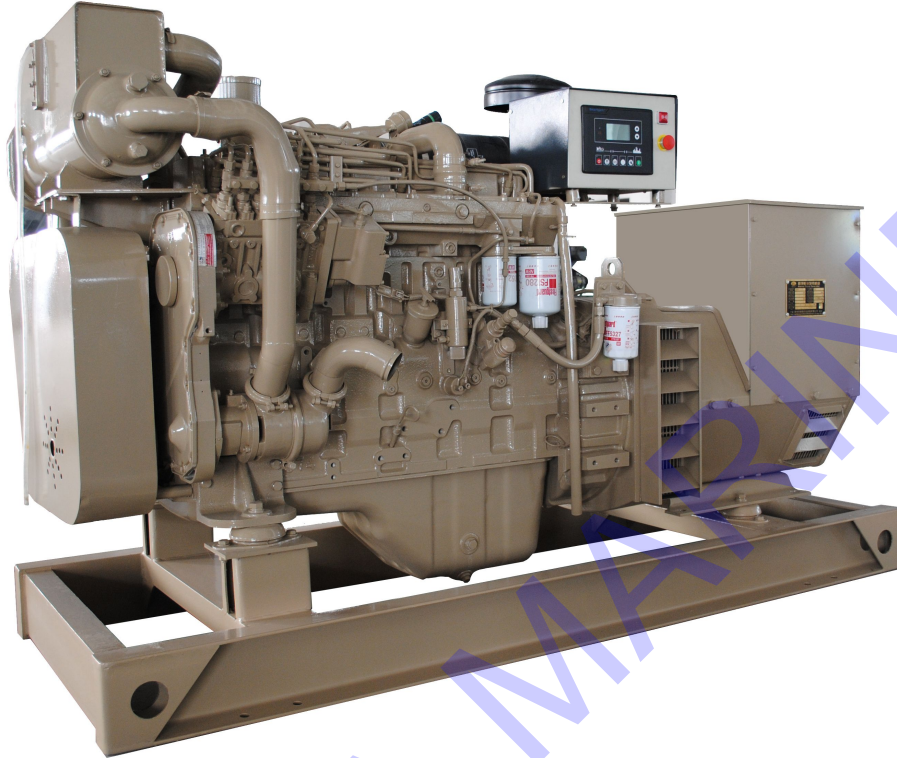


## 90kw marine diesel generator



### General features:

- Coupled with Cummins diesel engine and Stamford alternator
- 24V DC start motor
- Brushless, Self-excited, IP23, insulation class H alternator

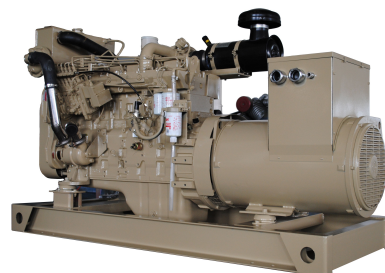
### Genset Main Technical Data

3-PH, 50Hz@1500RPM, 400/230V (Also Can Be Made According To Customers' Special Requirements)

Voltage	HZ	Phase	PF (COS $\phi$ )	Output (KW)
400/230V	50	3	0.8	90

### Criterion

- GB/T13032-1991
- ISO9001:2008 Quality Control System
- CCS,BV,ABS,RRR,DNV approved

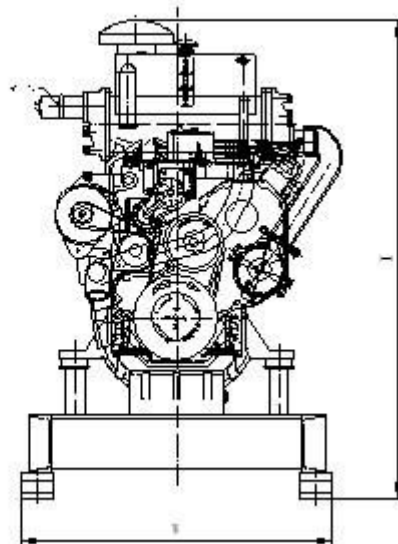
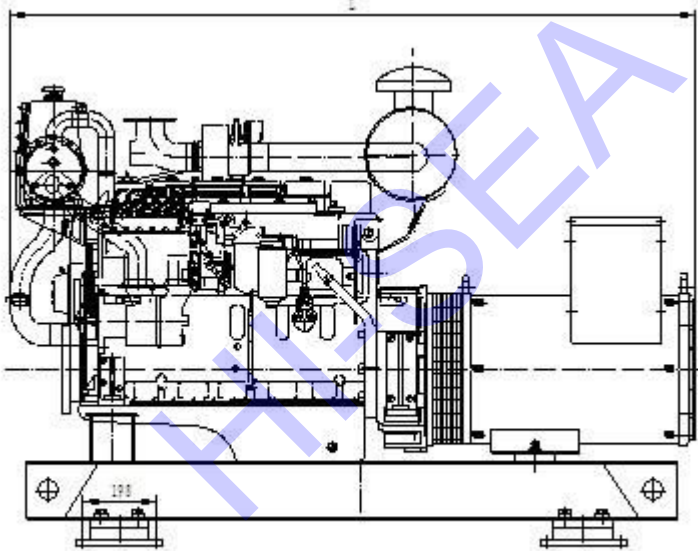


### Diesel Engine Technical Data

Number of Cylinders	6 cylinders in line
Cycle	4 stroke
Aspiration	Turbocharged and aftercooled
Bore×Stroke	102 x120 mm
Displacement	5.9 L
Prime Power/Speed	100KW / 1500rpm
Speed Governor	electrical
Cooling System	By heat exchanger
Fuel Consumption at 100% Load	212 g/kw.h
Starter Motor	DC24V,

### Alternator Technical Data

Prime power	90KW
Frequency/speed	50HZ/1500rpm
Exciter type	Brushless, Self-excited
Power factor	0.8
Insulation Grade	H
Protection Grade	IP23
Phase / wire	3 phase 3 wires



### Chongqing Hi-Sea Marine Equipment Import&Export Co.,Ltd.

**Address:** 20-5,General Chamber of Commerce Building, No.2 Hongjin Street, Yubei District, Chongqing, China

**Email:** machine@hiseamarine.com mitang0708@foxmail.com **Skype:** cncqtang **QQ:** 2278612160

**TEL:** +86-23-67032301 **FAX:** +86-23-67955123 **Mobile:** +86-18108354610 **Post Code:**401147

**Website:** www.hiseamarine.com www.chinahisea.com