

## 30kw marine diesel generator



### General features:

- Coupled with Cummins diesel engine and STAMFORD alternator
- 24V DC start motor
- Brushless, Self-excited, IP23, insulation class H alternator

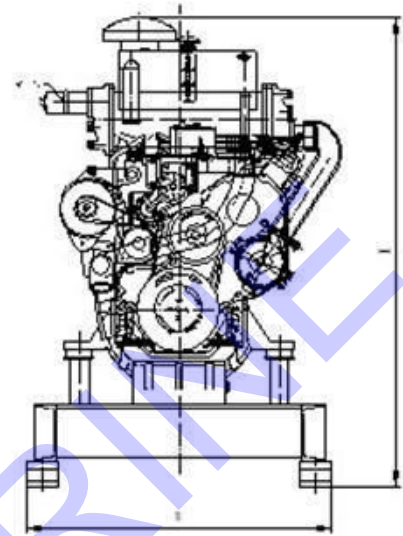
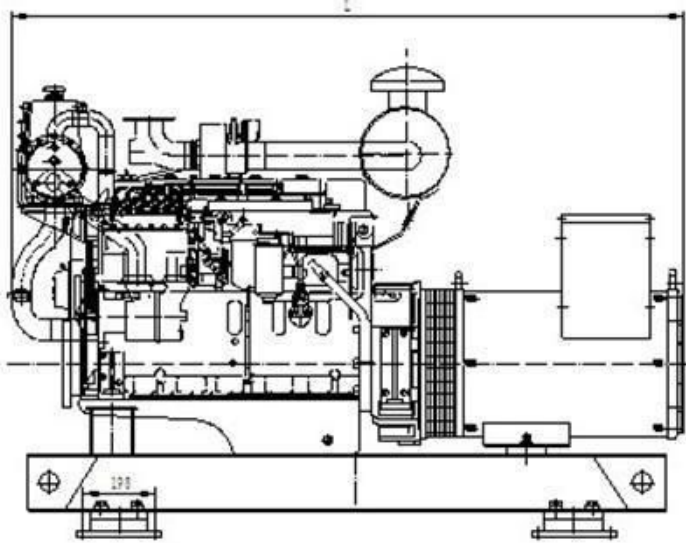
### Genset Main Technical Data

3-PH, 50Hz@1500RPM, 380/220V (Also Can Be Made According To Customers' Special Requirements)

Voltage	HZ	Phase	PF (COS $\phi$ )	Output (KW)
380/220V	50	3	0.8	30

### Criterion

- GB/T13032-1991
- ISO9001:2008 Quality Control System
- CCS ,BV.ABS,GL,LR,DNV,RRRapproved



### Diesel Engine Technical Data

Number of Cylinders	4 cylinders in line
Cycle	4 stroke
Aspiration	Turbocharged and aftercooled
Bore×Stroke	102 x120 mm
Displacement	3.9 L
Prime Power / speed	47KW / 1500rpm
Speed Governor	electrical
Cooling System	By heat exchanger
Fuel Consumption at 100% Load	205 g/kw.h
Starter Motor	DC24V,

### Alternator Technical Data

Prime power	30KW
Frequency/speed	50HZ/1500rpm
Exciter type	Brushless, Self-excited
Power factor	0.8
Insulation Grade	H
Protection Grade	IP23
Phase / wire	3 phase 3 wires

## Control System

Model	FVA401F
<ul style="list-style-type: none"> <li>* Microcomputer digital control, and reliable work;</li> <li>* Digital display of parameters of diesel engine, and integration of measuring and monitoring;</li> <li>* Modularization of functional configuration, and ntegration of product structures;</li> <li>* Resistance to vibration, humidity, salt mist and high/low temperature;</li> <li>* Powerful ability to resist interference, convenient installation and use, and high performance-price ratio;</li> <li>* Remote monitoring of running parameters;</li> <li>* Automatic zero set of lubricating oil pressure</li> <li>* Accumulation of running period of diesel engine.</li> </ul>	



30kw marine diesel generator in factory

### Chongqing Hi-Sea Marine Equipment Import&Export Co.,Ltd.

**Address:** 20-5,General Chamber of Commerce Building, No.2 Hongjin Street, Yubei District, Chongqing, China

**Email:** machine@hiseamarine.com mitang0708@foxmail.com **Skype:** cncqtang **QQ:** 2278612160

**TEL:** +86-23-67032301 **FAX:** +86-23-67955123 **Mobile:** +86-18108354610 **Post Code:**401147

**Website:** www.hiseamarine.com www.chinahisea.com