



## **16 ton pneumatic spring towing hook:**

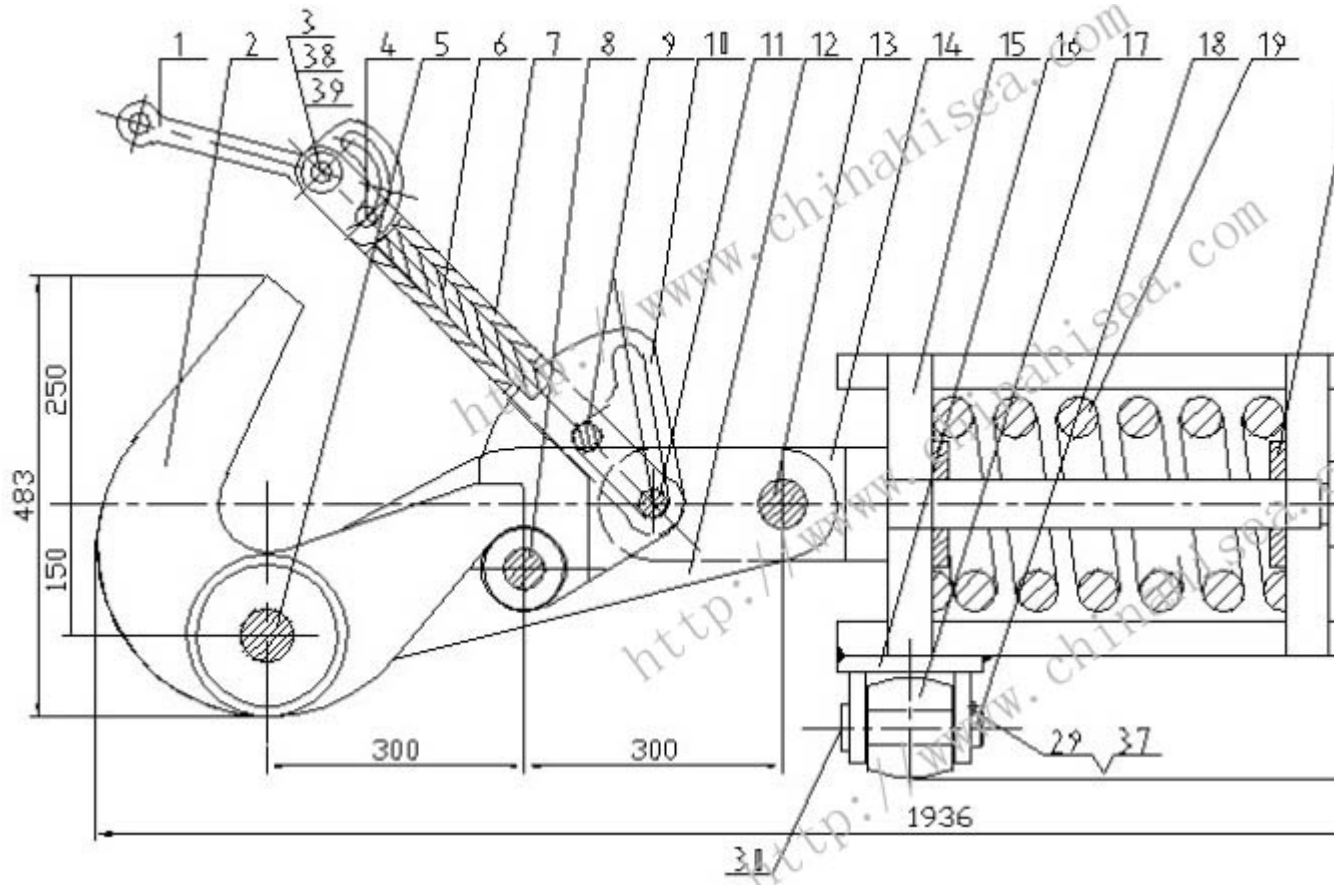
### **1.Product description:**

Excellent quality.

Competitive price .

Durable, long lifetime.

### **2.Schematic diagram of 16 ton Spring towing hook:**



3.Certificates: ABS, RINA, DNV, KR, NK, LR are available at request.

4.we supply all kinds of marine equipments.All products can be designed according to customers requirements.If you want to get moreinformation, please feel free to contact us.

5.Applied Standard

ISO1704-2007, IACS W18 and W22, API-2F(U.S.A), Rules of Classification Societies, GB/T 549-1996(China) and other non-standard products in order to satisfy customers.