



30 Ton disc type towing hook:

1. Release Hook can swing 180 degree and elevate 45 degree

Manually Release the Hook with less than 25 kgs

Manual Operation by one of the crew member.

with Safe Locking Device

Optional :

1. Load Sensor

2. Remote Monitoring and Control System

Product Tags: and control system remote monitoring 45 degree the hook disc type

Packaging Detail : wooden box or as your requirement

Lead Time :25-30 days

2.Mainfeatures:

Quick operate cable-laying ,bond cable, release cable easily.

Self locking mechanism make sure bond cable ,manual. electric or hydraulic release control lever.

Full load or zero load the anchor can quick release.

Elasticity cushion rubber let it no spark.

3.Type

Vertical Type

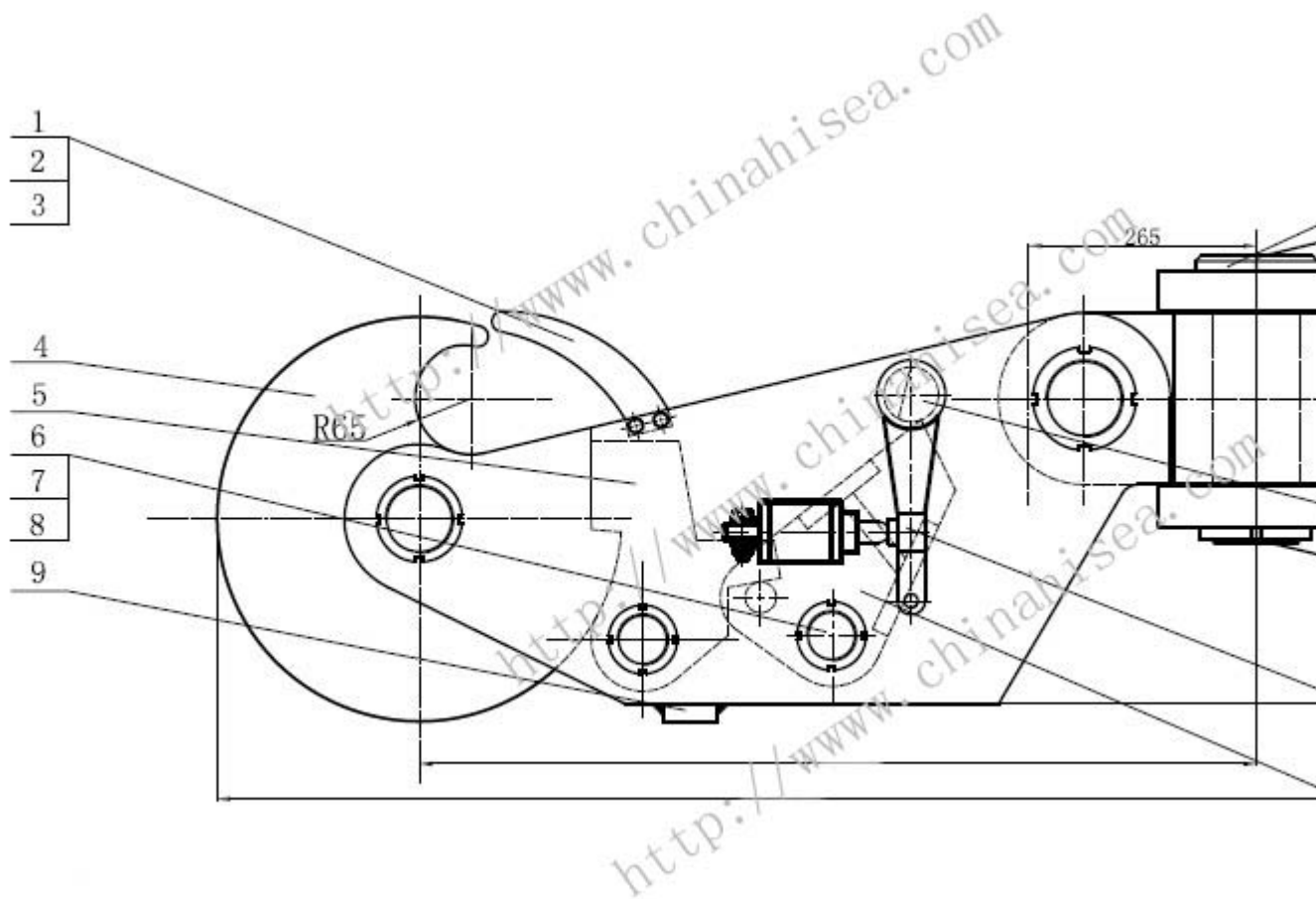
Feature:1. Iner brake explosion protection electric motor, safe brake performance, use vertical footing fix installation .

Reduction gearbox: helical gearbox, planetary gearbox, spindle wheel swinging gearbox

Horizontal type

Feature:1.Normal explosion protection electric motor, footing fix installation .

4. Drawing:



5.Specification:

SWL (t)	H (mm)	L (mm)	B (mm)	Φ (mm)	R (mm)
15	310	1050	110	75	50
20	360	1190	130	85	60
30	390	1215	140	90	60
40	430	1460	150	100	65
50	560	1660	180	130	75
60	570	1700	190	130	80
80	590	1800	200	140	80

100	620	1920	220	150	88
-----	-----	------	-----	-----	----

6.

Available Type:

- 1: manual release spring marine towing hook
- 2: manual release marine harbour towing hook
- 3: manual release disc marine towing hook
- 4: pneumatic spring marine towing hook
- 5: pneumatic disc marine towing hook
- 6: pneumatic marine harbour towing hook
- 7: single quick release mooring hook
- 8: double quick release mooring hook
- 9: triple quick release mooring hook
- 10: quadruple quick release mooring hook
- 11: pelican hook