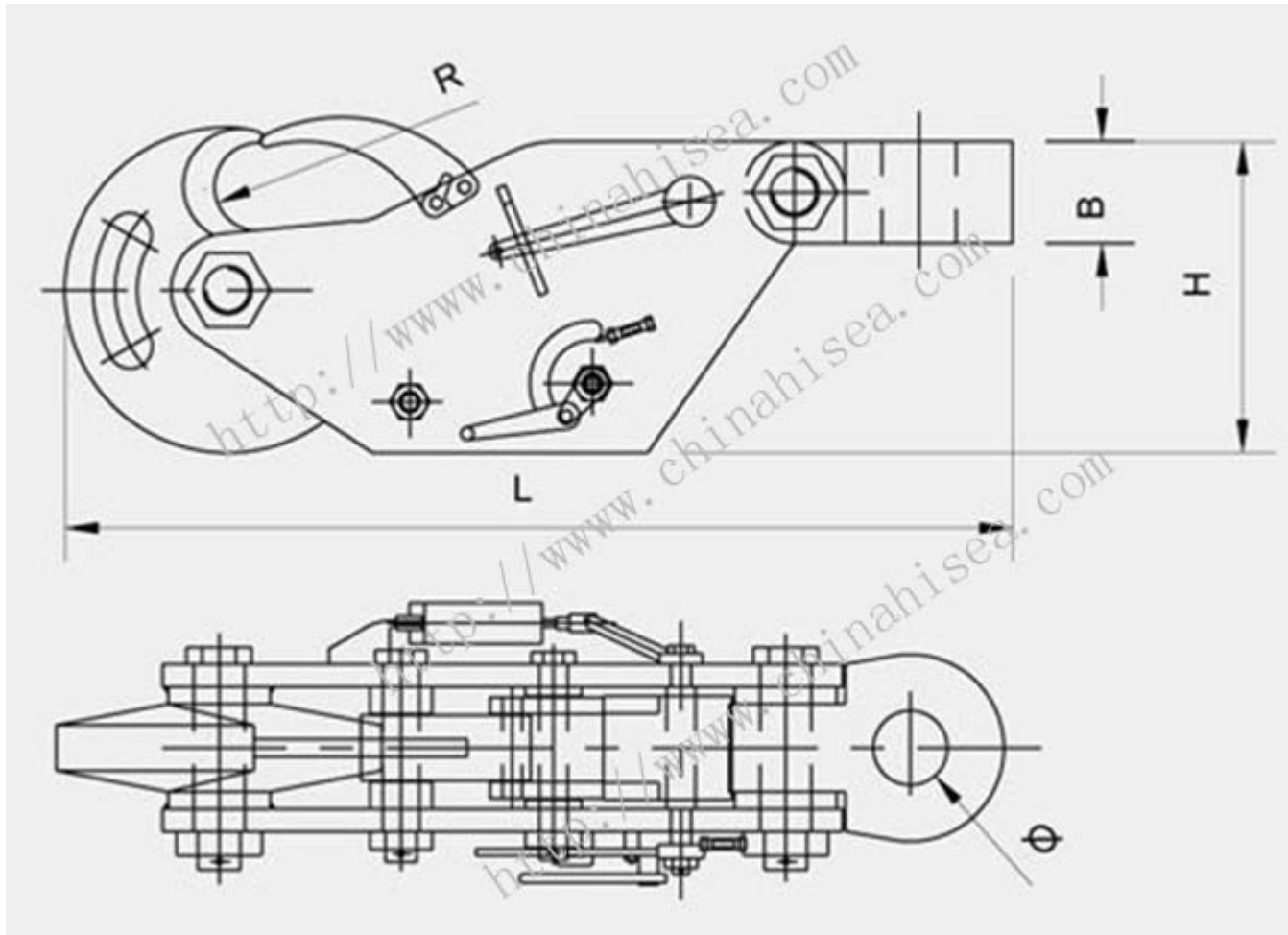




#### **40 Ton Pneumatic disc towing hook:**

1. The Quick Release Disc Type Towing Hooks are specially designed for towing with nylon and/or other P.P ropes as well as steel/wire ropes.

2. Drawing



## 2. Main features:

Quick operate cable-laying ,bond cable, release cable easily.

Self locking mechanism make sure bond cable ,manual. electric or hydraulic release control lever.

Full load or zero load the anchor can quick release.

Elasticity cushion rubber let it no spark.

## 3. Type

Vertical Type

Feature:1. Inner brake explosion protection electric motor, safe brake performance, use vertical footing fix installation .

Reduction gearbox: helical gearbox, planetary gearbox, spindle wheel swinging gearbox

Horizontal type

Feature:1. Normal explosion protection electric motor, footing fix installation .

## 4.

We provide a variety on marine towing hook.

Quick Release Disc Type Towing Hook Pneumatic Release,

Quick Release Disc Type Towing Hook Hydraulic Release,

Quick Release Spring Towing Hook Pneumatic Release,

## Quick Release Spring Towing Hook Hydraulic Release

### 5. Specification:

<b>SWL(t)</b>	<b>H</b>	<b>L</b>	<b>B</b>	<b>Φ</b>	<b>R</b>
15	310	1050	110	75	50
20	360	1190	130	85	60
30	390	1215	140	90	60
40	430	1460	150	100	65
50	560	1660	180	130	75
60	570	1700	190	130	80
80	590	1800	200	140	80
100	620	1920	220	150	88

6.

### Available Type:

- 1: manual release spring marine towing hook
- 2: manual release marine harbour towing hook
- 3: manual release disc marine towing hook
- 4: pneumatic spring marine towing hook
- 5: pneumatic disc marine towing hook
- 6: pneumatic marine harbour towing hook
- 7: single quick release mooring hook
- 8: double quick release mooring hook
- 9: triple quick release mooring hook
- 10: quadruple quick release mooring hook
- 11: pelican hook