

## Double Quick Release Hook:

### 1.Product description:

operating force by handle: <150N

pull of hook body for one unit: 350-2500KN

quantity of hook body for one handle: 1hook

swing angle of hook body in vertical: 450

swing angle of hook body in horizontal: 45~900

puling speed of electric capstan: 18~25m/min

pull of electric capstan: 10KN~30KN

working diameter of capstan:250mm

Matriel:hook body:quality alloy.

Quick release hook will be entirely sprayed with zinc and the thickness.

### 2.Mainfeatures:

Quick operate cable-laying ,bond cable, release cable easily.

Self locking mechanism make sure bond cable ,manual. electric or hydraulic release control lever.

Full load or zero load the anchor can quick release.

Elasticity cushion rubber let it no spark.

#### Vertical Type

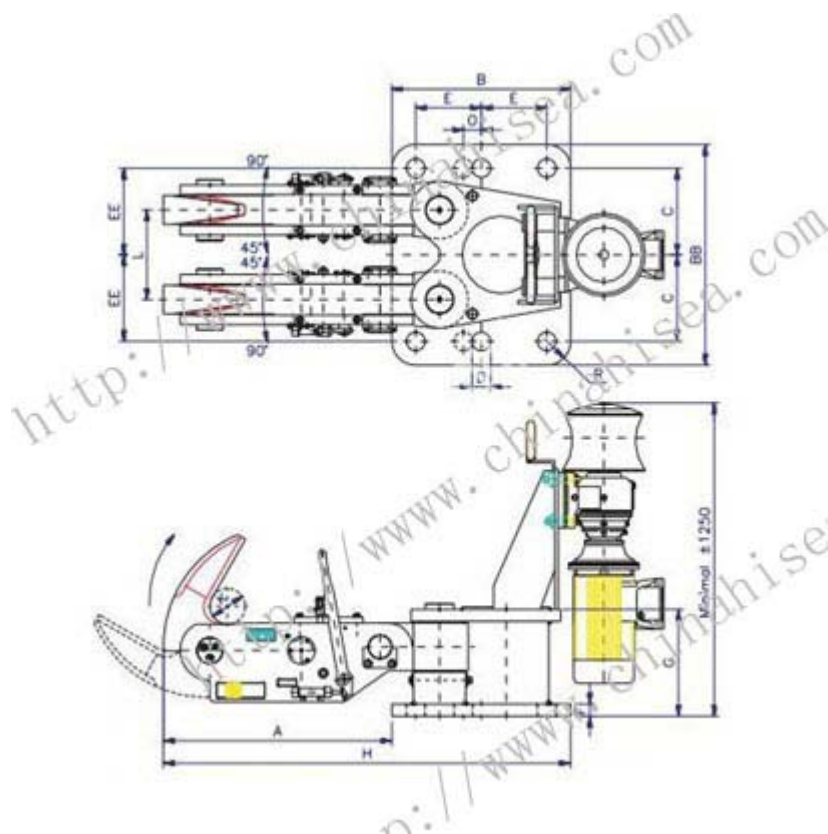
Feature:1. Iner brake explosion protection electric motor, safe brake performance, use vertical footing fix installation .

Reduction gearbox: helical gearbox, planetary gearbox, spindle wheel swinging gearbox

#### Horizontal type

Feature:1.Normal explosion protection electric motor, footing fix installation .

### 3.Specification:



S.W.L.	Cap.	Wt.	A	B	BB	C	D	E	EE	F	G	H	K	R	X
400	800	491	583	650	700	260	54	235	260	35	370	1233	96	90	6*M48
600	1200	878	788	750	780	290	62	275	290	45	407	1536	130	130	6*M56
750	1500	1049	888	750	850	325	70	275	325	45	417	1638	130	130	6*M64
1000	2000	1439	959	750	925	363	78	275	363	50	447	1709	150	150	6*M72
1250	2500	1602	1030	750	925	363	86	275	363	55	479	1780	150	150	6*M80
1500	3000	2332	1210	750	1000	400	86	275	400	55	499	1960	50	150	6*M80

Special reduction gearbox.

4. Certificates: ABS, BV, GL, CCS, RINA, DNV, KR, NK, LR are available at request.