

Pneumatic Release Disc Towing Hook:

1.Product description:

Type: Disc Type

Movement: Side movement

Material of hook:EH36 Material of protect panel:Q345B Material of bolt:35CrMo

Pneumatic Release from wheel house

Manual Release at hook body

Solenoid Voltage:24V DC The Length of Rubber Hose:20M Max Inlet Pressure:30Bar

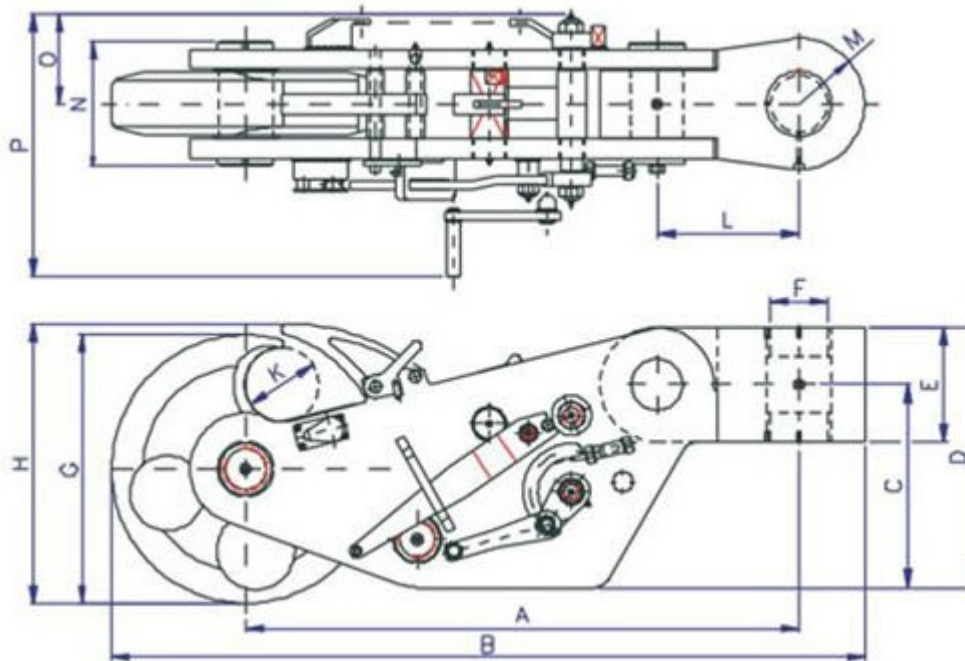
Dia. of Rubber Hose ID:12mm OD:8mm

2.Main features:

Certificate:CCS,ABS,BV,DNV,GL,LR,KR

SWL:70kN, 150kN, 250kN, 450kN, 650kN, 1000kN

3.Drawing



4.Specification:

Type	S.W.L.	T.L.	R.L.	Wt.	A	B	C	D	E	F	G	H	K	L	M	N
DCX5/7	70	140	70	79	512	712	185	235	100	45	280	291	65	125	60	112
DCX8/15	150	300	150	174	670	905	255	325	140	60	340	377	100	250	65	144
DCX18/25	250	500	250	414	923	1238	355	445	180	80	470	491	130	200	81	186
DCX30/45	450	900	450	534	973	1323	355	455	200	100	470	190	130	200	115	218
DCX50/65	650	1300	650	918	1173	1598	454	464	220	110	600	608	162	250	125	256

DCX70/100	1000	1500	1000	1282	1068	1750	492	632	280	135	650	668	176	290	135	288
-----------	------	------	------	------	------	------	-----	-----	-----	-----	-----	-----	-----	-----	-----	-----

5. Packing:After inspection, products are carefully packed in wooden case or carefully packed in Carton.

6.Remark:

Release Hook can swing 180° and elevate 45°.

Manually Release by wire cable≤20kgs.

Manually Operation by one of the crew member.

With Safe Locking Device.

Release the loading in Full Tension.

7.Optional:

Load Sensor and Monitor

Pneumatic or Hydraulic Cylinder for Remote Control.

Shock Absorbing Devices.