

## Pneumatic release spring towing hook:

### 1.Product description:

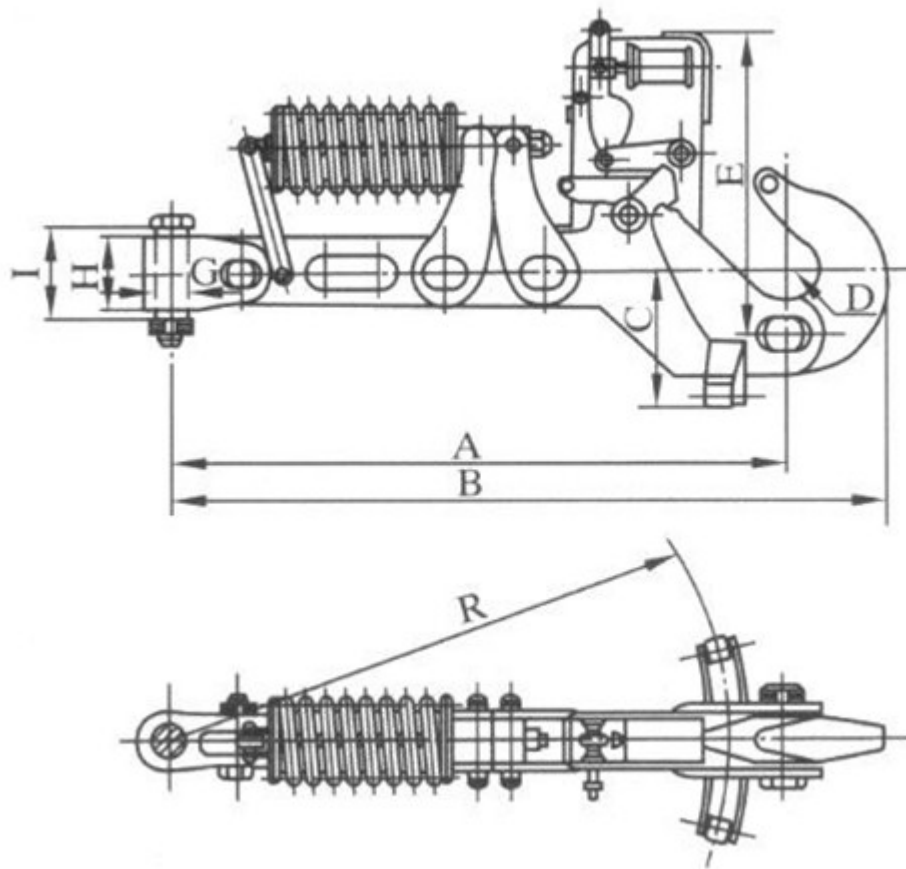
Excellent quality.

Competitive price .

Durable, long lifetime.

Certificate: CCS BV ABS etc.

### 2.Schematic diagram of Spring towing hook:



### 3.Specification:

SWL (t)	H (mm)	L (mm)	B (mm)	Φ (mm)	R (mm)
15	240	1380	134	85	880
20	255	1520	144	85	920
30	265	1680	152	95	940
40	280	1860	200	105	1050
50	285	1920	204	110	1100
60	290	1960	204	110	1150
80	340	2100	210	130	1310
100	380	2300	220	150	1430

4.Certificates: ABS, RINA, DNV, KR, NK, LR are available at request.

5.we supply all kinds of marine equipments.All products can be designed according to customers requirements.If you want to get more information, please feel free to contact us.

### 6.Applied Standard

ISO1704-2007, IACS W18 and W22, API-2F(U.S.A), Rules of Classification Societies, GB/T 549-1996(China) and other non-standard products in order to satisfy customers.

### 7.Approved Societies

Approval by 11 international Classification Societies, such as ABS, BV, CCS, CR, DNV, GL, KR, LR, NK, RINA and RMRS and so on. ISO Quality Management System ISO9001-2000, API-Q1 Quality and ISO/CD14690 (HSE ) management system have been separately approved by API (USA), CSQA(China) and QSMSCC (China).

8.spring towing hook

