



Harbour towing Hook:

1.Product description:

operating force by handle: <150N

pull of hook body for one unit: 350-2500KN

quantity of hook body for one handle: 1hook

swing angle of hook body in vertical: 45°

swing angle of hook body in horizontal: 45°~90°

pulling speed of electric capstan: 18~25m/min

pull of electric capstan: 10KN~30KN

working diameter of capstan:250mm

Matriel:hook body:quality alloy.

Quick release hook will be entirely sprayed with zinc and the thickness.

2.Mainfeatures:

Quick operate cable-laying ,bond cable, release cable easily.

Self locking mechanism make sure bond cable ,manual. electric or hydraulic release control lever.

Full load or zero load the anchor can quick release.

Elasticity cushion rubber let it no spark.

Vertical Type

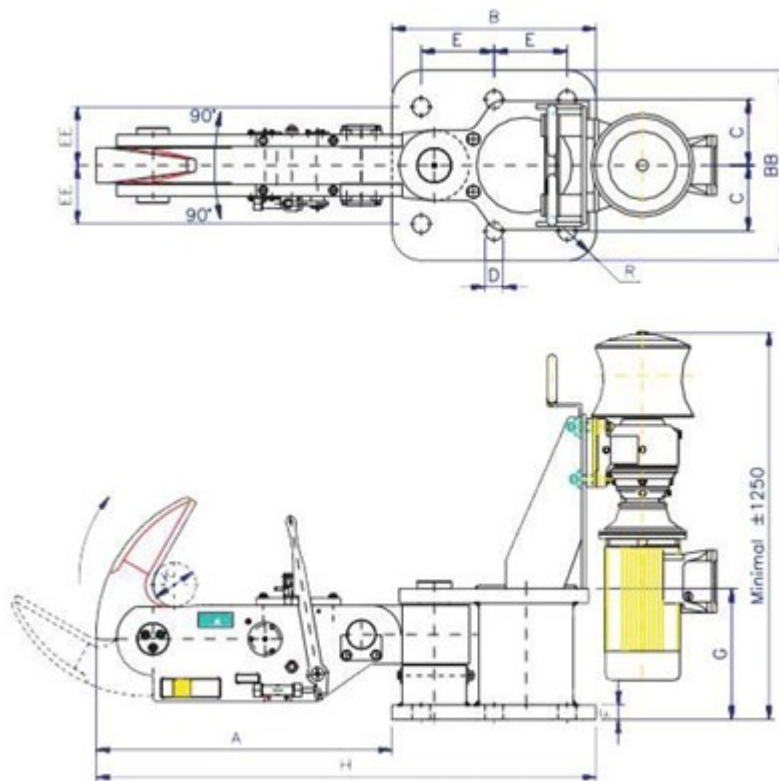
Feature:1. Iner brake explosion protection electric motor, safe brake performance, use vertical footing fix installation .

Reduction gearbox: helical gearbox, planetary gearbox, spindle wheel swinging gearbox

Horizontal type

Feature:1.Normal explosion protection electric motor, footing fix installation .

3.Specification:



S.W.L	Cap.	Wt.	A	B	BB	C	D	E	EE	F	G	H	K	R	X
400	400	304	668	600	600	225	54	225	225	35	370	1268	96	75	4*M48
600	600	512	873	650	650	235	54	235	200	45	407	1523	130	90	6*M48
750	750	587	923	650	650	225	62	225	200	45	417	1573	130	100	6*M56

1000	1000	792	1014	700	650	225	62	250	200	50	447	1714	150	100	6*M56
1250	1250	887	1085	700	650	225	70	250	200	55	479	1785	150	100	6*M64
1500	1500	1253	1255	700	650	225	78	250	195	55	499	1955	150	100	6*M72

Special reduction gearbox.

4. Certificates: ABS, BV, GL, CCS, RINA, DNV, KR, NK, LR are available at request.