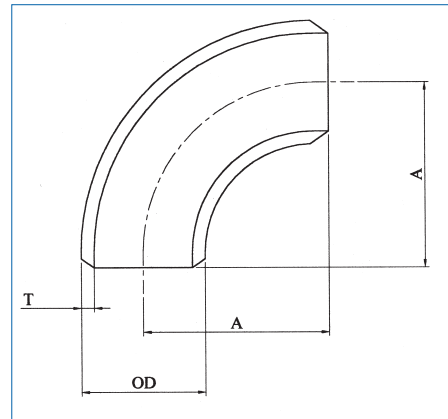


STAINLESS STEEL BUTTWELD ELBOWS

90° L.R. Elbows

ASTM A 403 WPW 304/304L/316/316L
ASME SA 403 WPW

SCH 10 Wall thickness



Nominal Pipe Size		Outside Diameter (OD)	SCH 10 Wall Thickness (T)	Centre to End (A)	Weight	Product Code	
(mm)	(inches)					304/304L	316/316L
15	1/2"	21.34	2.11	38.40	0.0060	FBE1/0213/021/04	FBE1/0213/021/16
20	3/4"	26.67	2.11	28.50	0.057	FBE1/0266/021/04	FBE1/0266/021/16
25	1"	33.40	2.77	38.10	0.156	FBE1/0334/027/04	FBE1/0334/027/16
32	1 1/4"	42.16	2.77	47.62	0.201	FBE1/0421/027/04	FBE1/0421/027/16
40	1 1/2"	48.26	2.77	57.15	0.279	FBE1/0482/027/04	FBE1/0482/027/16
50	2"	60.32	2.77	76.20	0.470	FBE1/0603/027/04	FBE1/0603/027/16
65	2 1/2"	73.02	3.05	95.25	0.786	FBE1/0730/030/04	FBE1/0730/030/16
80	3"	88.90	3.05	114.30	1.16	FBE1/0889/030/04	FBE1/0889/030/16
100	4"	114.30	3.05	152.40	2.00	FBE1/1143/030/04	FBE1/1143/030/16
125	5"	141.30	3.40	190.50	3.46	FBE1/1413/034/04	FBE1/1413/034/16
150	6"	168.27	3.40	228.60	4.96	FBE1/1682/034/04	FBE1/1682/034/16
200	8"	219.07	3.76	304.80	9.55	FBE1/2190/037/04	FBE1/2190/037/16
250	10"	273.05	4.19	381.00	16.6	FBE1/2730/041/04	FBE1/2730/041/16
300	12"	323.85	4.57	457.20	25.8	FBE1/3238/045/04	FBE1/3238/045/16
350	14"	355.60	4.78	533.40	34.6	FBE1/3556/047/04	FBE1/3556/047/16
400	16"	406.40	4.78	609.60	45.2		
450	18"	457.20	4.78	685.80	57.3		
500	20"	508.00	5.54	762.00	82.0		
550	22"	558.80	5.54	838.20	99.4		
600	24"	609.80	6.55	914.40	136.0		

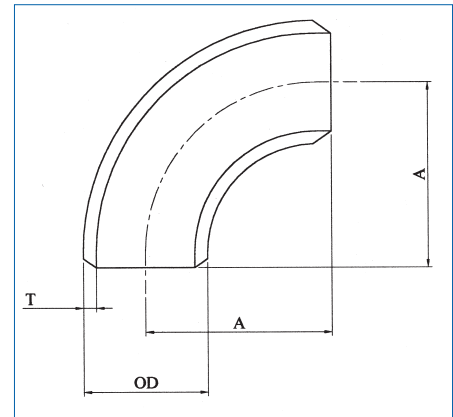
STAINLESS STEEL BUTTWELD ELBOWS

90° L.R. Elbows

ASTM A 403 WPW 304/304L/316/316L

ASME SA 403 WPW

SCH 40 Wall thickness



Nominal Pipe Size		Outside Diameter (OD)	SCH 40 Wall Thickness (T)	Centre to End (A)	Weight	Product Code	
(mm)	(inches)					304/304L	316/316L
15	½"	21.34	2.77	38.10	0.076	FBE4/0213/027/04	FBE4/0213/027/16
20	¾"	26.67	2.87	28.50	0.076	FBE4/0266/028/04	FBE4/0266/028/16
25	1"	33.40	3.38	38.10	0.150	FBE4/0334/033/04	FBE4/0334/033/16
32	1 ¼"	42.16	3.56	47.62	0.253	FBE4/0421/035/04	FBE4/0421/035/16
40	1 ½"	48.26	3.68	57.15	0.363	FBE4/0482/036/04	FBE4/0482/036/16
50	2"	60.32	3.91	76.20	0.651	FBE4/0603/039/04	FBE4/0603/039/16
65	2 ½"	73.02	5.16	95.25	1.29	FBE4/0730/051/04	FBE4/0730/051/16
80	3"	88.90	5.49	114.30	2.02	FBE4/0889/054/04	FBE4/0889/054/16
100	4"	114.30	6.02	152.40	3.84	FBE4/1143/060/04	FBE4/1143/060/16
125	5"	141.30	6.55	190.50	6.51	FBE4/1413/065/04	FBE4/1413/065/16
150	6"	168.27	7.11	228.60	10.1	FBE4/1682/071/04	FBE4/1682/071/16
200	8"	219.07	8.18	304.80	20.3	FBE4/2190/081/04	FBE4/2190/081/16
250	10"	273.05	9.27	381.00	36.0	FBE4/2730/093/04	FBE4/2730/093/16
300	12"	323.85	9.52	457.20	53.0	FBE4/3238/095/04	FBE4/3238/095/16
350	14"	355.60	9.52	533.40	68.0		
400	16"	406.40	9.52	609.60	89.2		
450	18"	457.20	9.52	685.80	113		
500	20"	508.00	9.52	762.00	140		
550	22"	558.80	9.52	838.20	170		
600	24"	609.60	9.52	914.40	202		