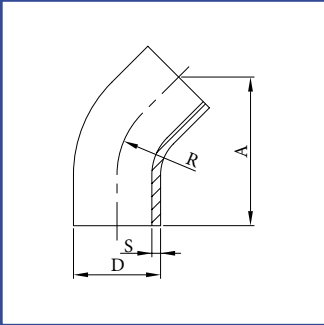


# STAINLESS STEEL ELBOWS 45°

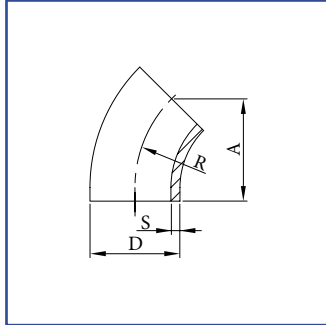
Elbow 45° long\* DIN row 1  
for orbital welding  
AISI 304/L, AISI 316/L



DN	D	S	A	R	kg
10	12,0	1,5	45,0	26,0	0,04
15	18,0	1,5	60,0	35,0	0,05
20	22,0	1,5	65,0	40,0	0,06
25	28,0	1,5	73,0	50,0	0,06
32	34,0	1,5	83,0	55,0	0,08
40	40,0	1,5	89,0	60,0	0,12
50	52,0	1,5	103,0	70,0	0,19
65	70,0	2,0	108,0	80,0	0,39
80	85,0	2,0	120,0	90,0	0,47
100	104,0	2,0	137,0	100,0	0,93

\* short version on demand

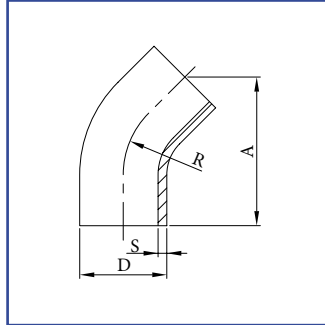
Elbow 45° short\* DIN row 1  
for welding  
AISI 304/L, AISI 316/L



DN	D	S	A	R	kg
10	13,0	1,5	17,0	26,0	0,01
15	19,0	1,5	23,0	35,0	0,01
20	23,0	1,5	27,0	40,0	0,02
25	29,0	1,5	34,0	50,0	0,03
32	35,0	1,5	37,0	55,0	0,04
40	41,0	1,5	41,0	60,0	0,05
50	53,0	1,5	48,0	70,0	0,09
65	70,0	2,0	55,0	80,0	0,19
80	85,0	2,0	62,0	90,0	0,26
100	104,0	2,0	69,0	100,0	0,58
125	129,0	2,0	131,0	187,5	0,99
150	154,0	2,0	157,0	225,0	1,36
200	204,0	2,0	300,0	300,0	2,38

\* long version on demand

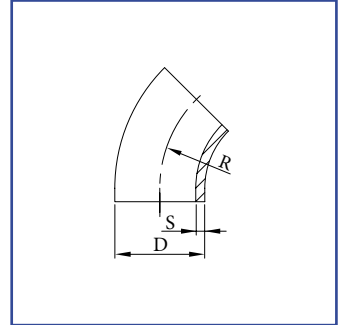
Elbow 45° long\* SMS  
for orbital welding  
AISI 304/L, AISI 316/L



DN	D	S	A	R	kg
25	25,4	1,5	77,0	38,0	0,07
38	38,1	1,5	85,5	57,0	0,12
51	50,8	1,5	109,0	76,0	0,22
63	63,5	1,5	111,5	95,0	0,35
76	76,2	1,65	120,0	114,0	0,51
101	101,6	2,0	137,0	110,0	0,93

\* short version on demand

Elbow 45° short ISO  
for welding  
AISI 304/L, AISI 316/L



DN	D	S	R	kg
15	21,3	1,6 (2)	28,0	0,02
20	26,9	1,6 (2)	29,0	0,02
25	33,7	2,0	38,0	0,04
32	42,4	2,0	48,0	0,07
40	48,3	2,0	57,0	0,10
50	60,3	2,0	76,0	0,16
65	76,1	2,0	95,0	0,26
80	88,9	2,0	114,0	0,39
100	114,3	2,0	152,0	0,65
125	139,7	2,0	190,0	0,99
150	168,3	2,0	229,0	1,46