

90° Socket weld Elbow

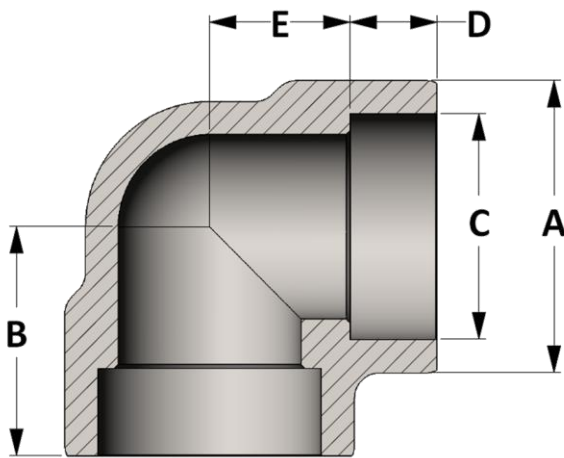
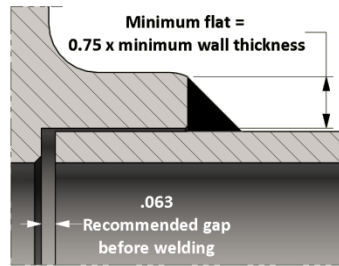
Specification: ASME B16.11

Material: Available in a complete range of Carbon Steels, Stainless Steels, Alloy Steels and Non-ferrous metals certified to ASTM, ASME, and Military standards.

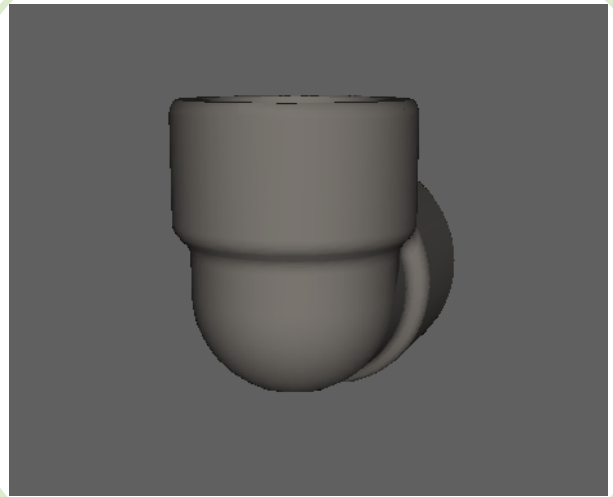
Sizes: 1/8" - 4" in Class 3000 & 6000 • 1/8" - 3-1/2" in Class 9000
Also available in CL 10,000 and reducing pipe sizes and tube sizes

| Socket Weld Pressure Class | Pipe Schedule |
|----------------------------|---------------|
| Class 3000 | S80/XH |
| Class 6000 | S160 |
| Class 9000 | XXH |

Welding Gap and Minimum Flat Dimension for Socket Weld Fittings



Active 3D Model



All dimensions are in inches • Weights are based on Carbon Steel

CLASS 3000 – Figure No. 13001

| PIPE SIZE | 1/8 | 1/4 | 3/8 | 1/2 | 3/4 | 1 | 1-1/4 | 1-1/2 | 2 | 2-1/2 | 3 | 4 |
|-----------|-------|-------|-------|-------|-------|-------|-------|-------|-------|-------|-------|-------|
| A | 0.875 | 0.875 | 1.063 | 1.313 | 1.500 | 1.813 | 2.188 | 2.500 | 3.000 | 3.625 | 4.313 | 5.875 |
| B | 0.875 | 0.875 | 0.969 | 1.125 | 1.313 | 1.500 | 1.750 | 2.000 | 2.375 | 3.000 | 3.375 | 4.188 |
| C | 0.426 | 0.560 | 0.693 | 0.859 | 1.071 | 1.335 | 1.682 | 1.922 | 2.410 | 2.910 | 3.536 | 4.545 |
| D | 0.438 | 0.438 | 0.438 | 0.500 | 0.563 | 0.625 | 0.688 | 0.750 | 0.875 | 1.375 | 1.125 | 1.566 |
| E | 0.438 | 0.438 | 0.531 | 0.625 | 0.750 | 0.875 | 1.063 | 1.250 | 1.500 | 1.625 | 2.250 | 2.625 |
| LBS | 0.20 | 0.17 | 0.24 | 0.48 | 0.68 | 1.06 | 1.72 | 2.33 | 3.88 | 7.34 | 11.61 | 22.47 |

CLASS 6000 – Figure No. 16001

| PIPE SIZE | 1/8 | 1/4 | 3/8 | 1/2 | 3/4 | 1 | 1-1/4 | 1-1/2 | 2 | 2-1/2 | 3 | 4 |
|-----------|-------|-------|-------|-------|-------|-------|-------|-------|-------|-------|-------|-------|
| A | 0.875 | 1.063 | 1.313 | 1.500 | 1.813 | 2.188 | 2.500 | 3.000 | 3.313 | 4.000 | 4.750 | 5.875 |
| B | 0.875 | 0.969 | 1.125 | 1.313 | 1.500 | 1.750 | 2.000 | 2.375 | 2.500 | 3.250 | 3.750 | 4.188 |
| C | 0.426 | 0.560 | 0.693 | 0.859 | 1.071 | 1.335 | 1.682 | 1.922 | 2.410 | 2.910 | 3.536 | 4.545 |
| D | 0.438 | 0.438 | 0.500 | 0.563 | 0.625 | 0.688 | 0.750 | 0.875 | 0.875 | 1.000 | 1.250 | 1.563 |
| E | 0.438 | 0.531 | 0.625 | 0.750 | 0.875 | 1.063 | 1.250 | 1.500 | 1.625 | 2.250 | 2.500 | 2.625 |
| LBS | 0.37 | 0.32 | 0.60 | 0.92 | 1.52 | 2.42 | 3.18 | 6.23 | 7.27 | 12.06 | 21.16 | 27.21 |

CLASS 9000 – Figure No. 19001

| PIPE SIZE | 1/8 | 1/4 | 3/8 | 1/2 | 3/4 | 1 | 1-1/4 | 1-1/2 | 2 | 2-1/2 | 3 | 4 |
|-----------|-------|-------|-------|-------|-------|-------|-------|-------|-------|-------|-------|-----|
| A | 1.063 | 1.313 | 1.500 | 1.813 | 2.188 | 2.500 | 3.000 | 3.313 | 3.625 | 4.313 | 5.875 | --- |
| B | 0.969 | 1.125 | 1.313 | 1.500 | 1.750 | 2.000 | 2.375 | 2.500 | 3.000 | 3.375 | 4.188 | --- |
| C | 0.426 | 0.560 | 0.693 | 0.859 | 1.071 | 1.335 | 1.682 | 1.922 | 2.410 | 2.910 | 3.536 | --- |
| D | 0.438 | 0.500 | 0.500 | 0.500 | 0.625 | 0.750 | 1.000 | 1.000 | 0.875 | 1.000 | 1.313 | --- |
| E | 0.531 | 0.625 | 0.813 | 1.000 | 1.125 | 1.250 | 1.375 | 1.500 | 2.125 | 2.375 | 2.875 | --- |
| LBS | 0.41 | 0.70 | 1.12 | 1.73 | 2.91 | 4.15 | 6.79 | 8.96 | 12.39 | 19.78 | 42.20 | --- |