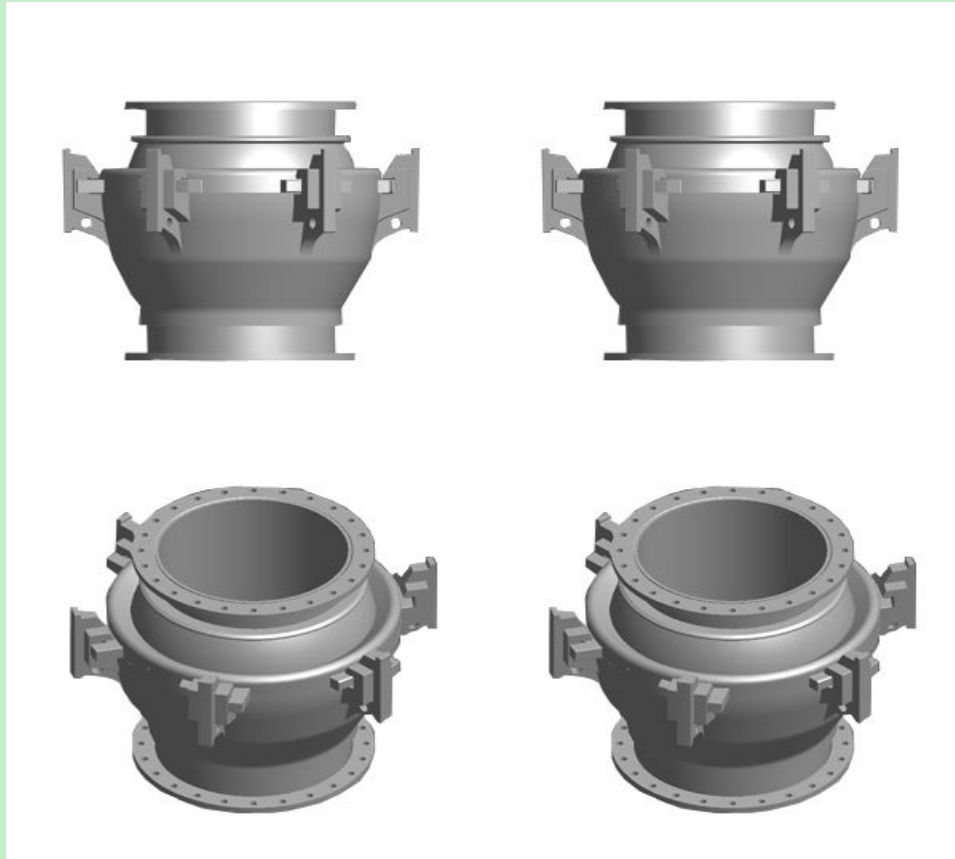
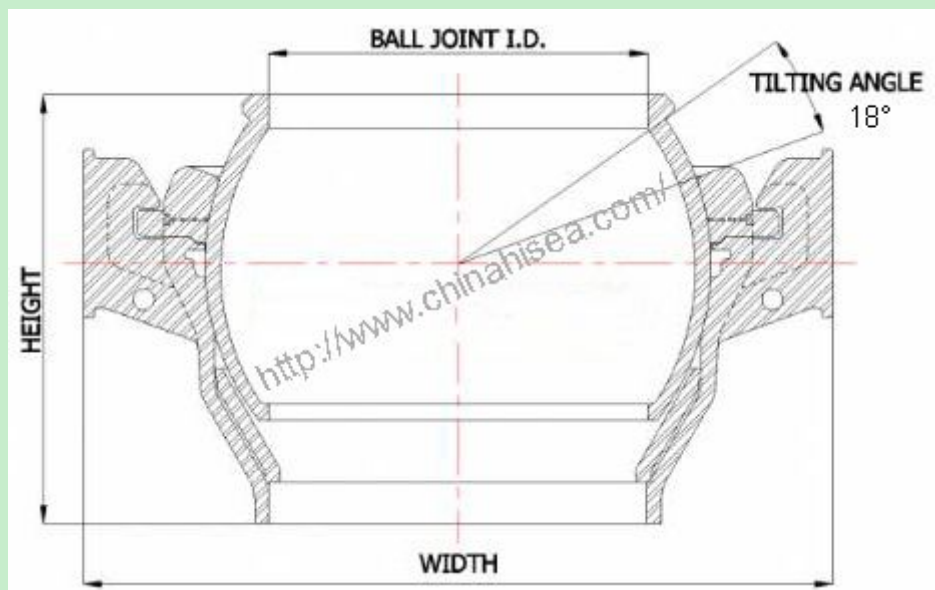


18 Degrees Tilting Angle Dredge Ball Joint



Dredge ball joint benefits:

1. Easy assembly and dis-assembly
2. Low maintenance required
3. Low friction between ball and gland due to grease grooves and polished ball and gland face
4. Replaceable liners made from wear resistant materials
5. Quick fix and release of locking



drawing of 18°dredge ball joint



Technical Specifications

18 Degrees tilting angle										
		10 Bar			20 Bar			30 Bar		
Pipe ID mm	Ball joint ID mm	Height mm	Width mm	Weight kg	Height mm	Width mm	Weight kg	Height mm	Width mm	Weight kg
400	428	500	892	353	593	966	513	670	1,022	658
500	536	616	1,112	677	743	1,210	1,011	840	1,284	1,313
550	586	677	1,218	913	807	1,326	1,342	921	1,402	1,717
650	694	786	1,432	1,463	944	1,562	2,193	1,074	1,652	2,814
700	744	849	1,542	1,849	1,009	1,672	2,682	1,157	1,780	3,509
800	854	973	1,768	2,782	1,149	1,912	4,007	1,304	2,024	5,173
900	954	1,076	1,974	3,839	1,282	2,134	5,610	1,465	2,264	7,308
1,000	1,066	1,200	2,200	5,319	1,428	2,384	7,775	1,625	2,524	10,037
1,200	1,266	1,405	2,612	8,944	1,688	2,832	13,158	1,904	2,924	16,458

NOTE:We can provide customer with the best suitable solution and lowest cost , the dredge ball joints are designed in six different types, giving variations of tilting angle from 15 to 18 degrees and duties from 10 bar to 30 bar.

Chongqing Hi-Sea Marine Equipment Import&Export Co.,Ltd.

Address: 20-5,General Chamber of Commerce Building, No.2 Hongjin Street, Yubei District, Chongqing, China

Email: machine@hiseamarine.com mitang0708@foxmail.com **Skype:** cncqtang **QQ:** 2278612160

TEL: +86-23-67032301 **FAX:**+86-23-67955123 **Mobile:** +86-18108354610 **Post Code:**401147

Website: www.hiseamarine.com www.chinahisea.com