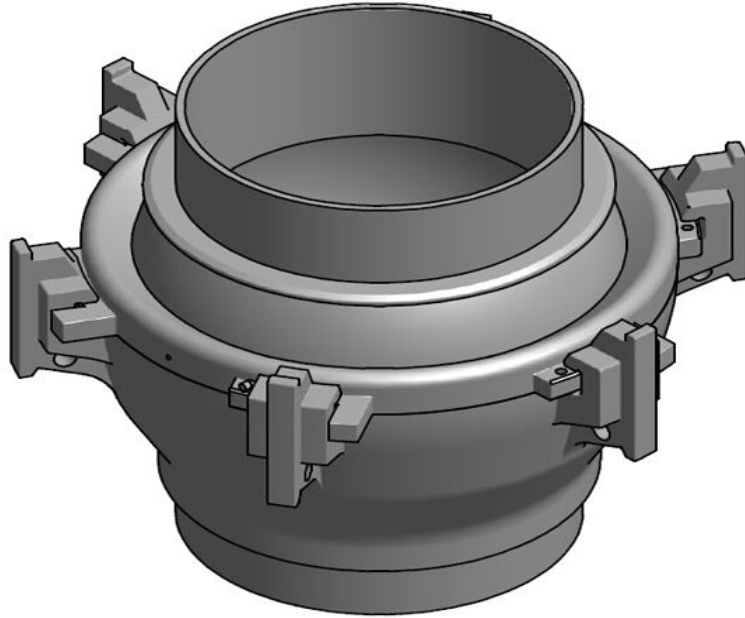


Dredge Ball Joint

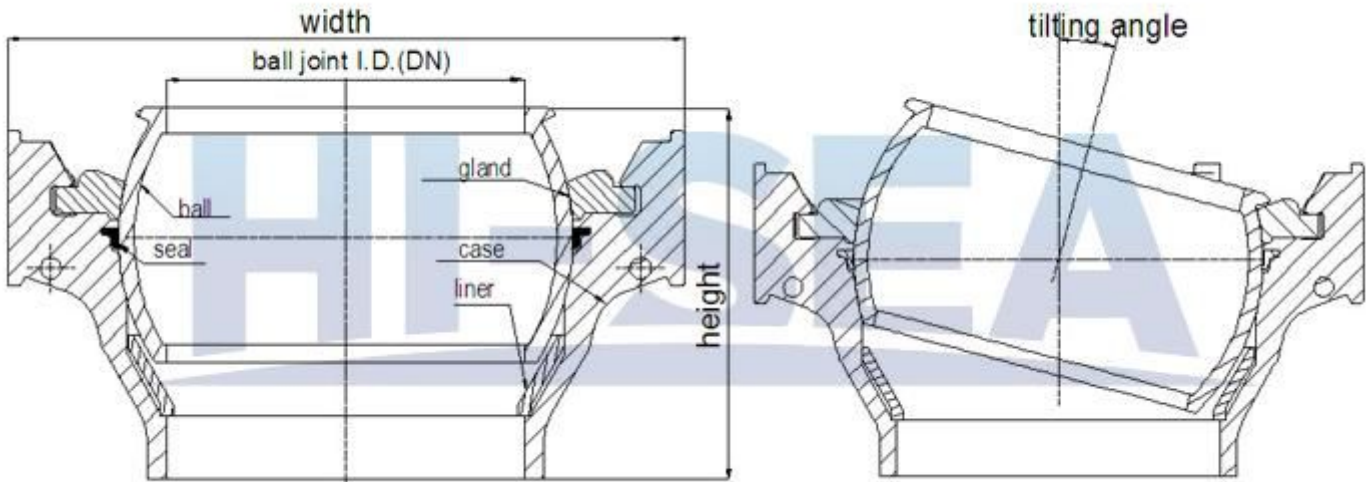


Dredge ball joint features:

1. Grease grooves provided in the gland
2. Stiffened dredge ball joint case lugs
3. Quick fix and release locking using a pin and chain connection
4. Pipe welded through ball
5. Maximum thickness provided at the neck of the ball joint

Dredge ball joint benefits:

1. Easy assembly and dis-assembly
2. Low maintenance required
3. Low friction between ball and gland due to grease grooves and polished ball and gland face
4. Replaceable liners made from wear resistant materials
5. Quick fix and release of locking



Technical specifications

15 Degrees tilting angle							
		10 Bar			20 Bar		
Pipe ID mm	Ball joint ID mm	Height mm	Width mm	Weight kg	Height mm	Width mm	Weight kg
400	428	416	796	233	504	851	330
500	536	524	1,000	471	624	1,065	644
550	586	561	1,088	602	681	1,168	855
650	694	663	1,285	1,001	798	1,379	1,408
700	744	711	1,379	1,264	853	1,479	1,742
800	854	812	1,576	1,846	970	1,690	2,590
850	904	852	1,666	2,189	1,022	1,787	3,110
1,000	1,066	1,004	1,964	3,583	1,207	2,106	5,039
1,100	1,166	1,094	2,154	4,756	1,324	2,296	6,622
1,200	1,266	1,167	2,328	5,943	1,426	2,496	8,548

18 Degrees tilting angle							
		10 Bar			20 Bar		
Pipe ID mm	Ball joint ID mm	Height mm	Width mm	Weight kg	Height mm	Width mm	Weight

							kg
400	428	500	892	353	593	966	513
500	536	616	1,112	677	743	1,210	1,011
550	586	677	1,218	913	807	1,326	1,342
650	694	786	1,432	1,463	944	1,562	2,193
700	744	849	1,542	1,849	1,009	1,672	2,682
800	854	973	1,768	2,782	1,149	1,912	4,007
900	954	1,076	1,974	3,839	1,282	2,134	5,610
1,000	1,066	1,200	2,200	5,319	1,428	2,384	7,775
1,200	1,266	1,405	2,612	8,944	1,688	2,832	13,158

NOTE:We can provide customer with the best suitable solution and lowest cost , the dredge ball joints are designed in six different types, giving variations of tilting angle from 15 to 18 degrees and duties from 10 bar to 30 bar.



Chongqing Hi-Sea Marine Equipment Import&Export Co.,Ltd.

Address: 20-5,General Chamber of Commerce Building, No.2 Hongjin Street, Yubei District, Chongqing, China

Email: machine@hiseamarine.com mitang0708@foxmail.com **Skype:** cncqtang **QQ:** 2278612160

TEL: +86-23-67032301 **FAX:**+86-23-67955123 **Mobile:** +86-18108354610 **Post Code:**401147

Website: www.hiseamarine.com www.chinahisea.com